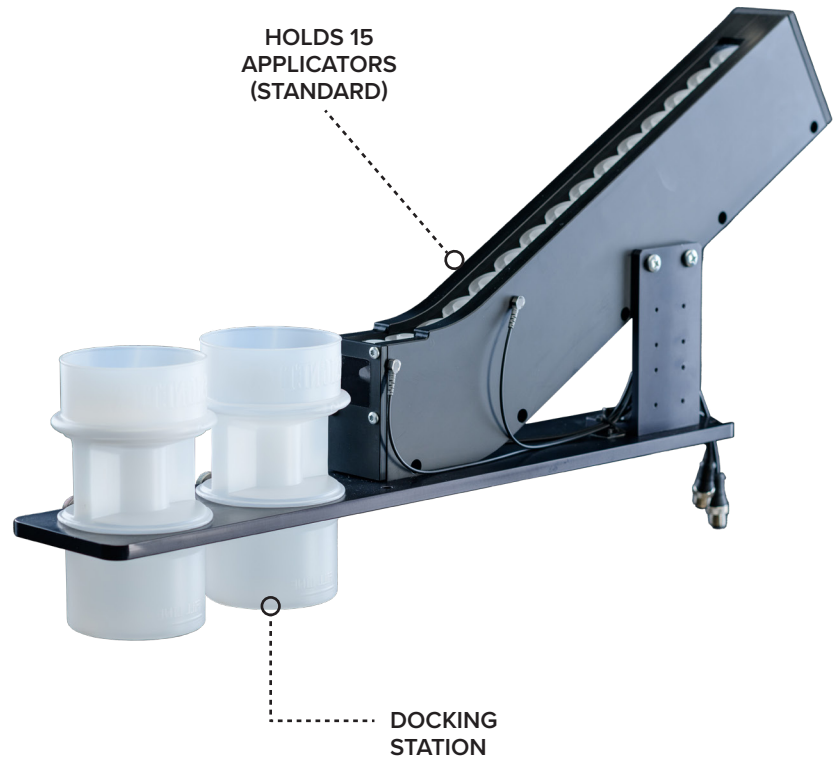


APPLICATOR TRACK

10500 SERIES

MAKE SMOOTH MOVES—AND MANY OF THEM

Make short work of multiple applications with our 10500 Series Applicator Track. This ingenious device allows you to supply a fixed number of applicators to an exact and repeatable location on your substrate, saving time, money and headache by applying fluid to multiple locations at once. All applicator tracks are designed to regulate fluid from Designetics applicators and should be used with a Designetics-branded dispenser.



FEATURES:

- Poka-Yoke Design
- Made of Non-Corrosive Materials
- Easy Loading
- Docking Station
- Tamping Station
- Sensors
 - Indicates “Low”
 - Indicates “In Position”

OPTIONS:

- Auxiliary Mounted Docking & Tamping Stations
- Part Pickup Sensor

419.866.0700

sales@designetics.com

designetics.com

 **DESIGNETICS**[®]
ISO 9001 Registered

U.S. Patents Pending

Designetics is a registered trademark
of Designetics, Inc.